

# Design and Control of 3-DOF Articulated Robotic Arm using LabVIEW and NI-myRIO

Ganesan A<sup>1</sup>, Nhizanth R<sup>2</sup>, Kamban S<sup>3</sup>, Gopalakrishnan R<sup>4</sup>

UG Scholar, Instrumentation and control engineering, Saranathan College of engineering Trichy, India<sup>1,2,3</sup>

Assistant Professor, Instrumentation and control engineering, Saranathan College of engineering Trichy, India<sup>4</sup>

**Abstract:** This paper focus on designing and controlling an articulated 3-DOF robotic arm using LabVIEW and NI-myRIO. Nowadays Robots have been used in common places of manufacturing and making the tasks ranging complicated and expensive to be automated, since technology formulates LabVIEW is used to make the robot more precise and practical along with a hardware NI-myRIO. The three base, axis and wrist movements are obtained by using stepper motor and 2 DC gear motor. NI-myRIO is used to generate and acquire signals for controlling and processing, it has an inbuilt processor and FPGA and has many reconfigurable analog and digital pins.

**Keywords:** LabVIEW, NI-myRIO, DOF, Robotic arm, Stepper motor

## 1. INTRODUCTION

Robot is a machine to execute different task repeatedly with high accuracy. Thereby many functions like collecting information and studies about the hazardous sites which is too risky to send human inside. Robots are used to reduce the human interference nearly 50 percent. Robots are used in different types like fire fighting robot, metal detecting robot, etc.

Robots are defined by the nature of their movement. There are five important classifications of robots. They are described as follows

- Cartesian
- Cylindrical
- Polar
- Articulated
- SCARA

The first robotic arm to be used in an automobile industry was “UNIMATE” in GM motors USA in 1950s. From then there has been enormous improvement in the research and development in robotics. Now robots are an integral part of almost all industries. Robots have to do different tasks including welding, trimming, picking and placing etc. These robots are controlled in different ways like keypads, voice control, etc.

Our paper portraits the control of an 3-DOF robotic arm using LabVIEW and NI-myRIO which makes the system more precise and reduces time delay and it is comparatively better than other programming languages in the field of monitoring and control.

## 2. HARDWARE

### 2.1. Articulated robot:

An articulated robot is a robot which is fitted with rotary joints. Rotary joints allow a full range of motion, as they rotate through multiple planes, and they increase the capabilities of the robot considerably. An articulated robot can have one or more rotary joints, and other types of joints may be used as well, depending on the design of the robot and its intended function. With rotary joints, a robot can engage in very exact movements. Articulated robots commonly show up on manufacturing lines, where they

utilize their flexibility to bend in a variety of directions. Multiple arms can be used for greater control or to conduct multiple tasks at once, for example, and rotary joints allow robots to do things like turning back and forth between different work areas.

These robots can also be seen at work in labs and in numerous other settings. Researchers developing robots often work with articulated robots when they want to engage in activities like teaching robots to walk and developing robotic arms. The joints in the robot can be programmed to interact with each other in addition to activating independently, allowing the robot to have an even higher degree of control. Many next generation robots are articulated because this allows for a high level of functionality.

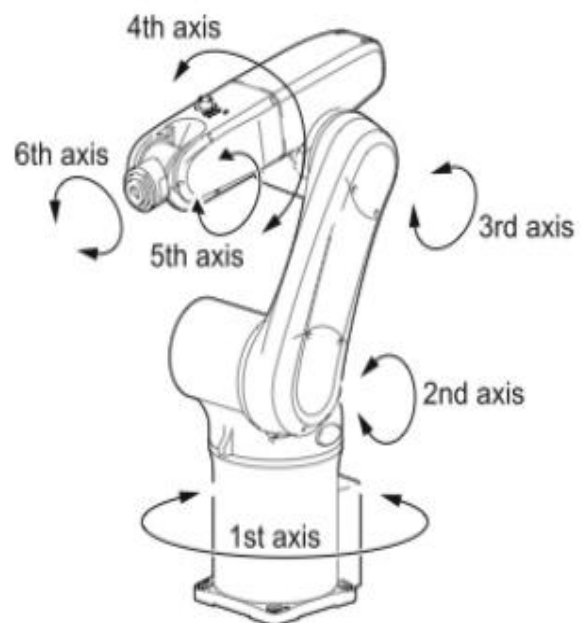


Figure 1: Model of Articulated robotic arm



Steps	A	B	C	D
0	ON	OFF	OFF	OFF
1	OFF	ON	OFF	OFF
2	OFF	OFF	ON	OFF
3	OFF	OFF	OFF	ON

Figure 5: Wave drive mode truth table

### 2.3. DC GEAR MOTOR:

DC motor converts electrical power to mechanical force. Geared DC motor are little bit extension of DC motor, they consist of a shaft and a gear arrangement. The speed of the gear motor is counted in terms of rotation in shaft per minute and is termed as RPM.

The gear assembly helps in increasing the torque so that it can lift weights and decreases speed. Here we are using 2-DC gear motors for elbow and arm movement. The following figure shows the diagram of a DC gear motor.

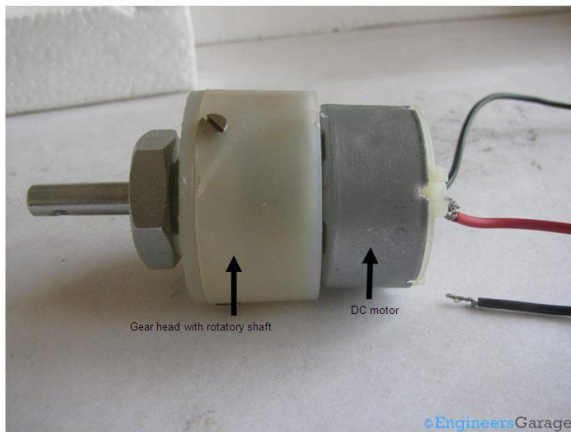


Figure 6: DC gear motor

### 2.4. NI-myRIO:

It is a hardware developed by National Instruments, Texas used to acquire and process real time signals. It is a portable reconfigurable input / output abbreviated as RIO. It consists of a processor and FPGA embedded in it and it is compact.

It consists of two expansion port (MXP) connectors A and B carry identical set of signals and both have 34 pin outs and a mini system port (MSP) called Connector C. In both the cases there are certain pins which carry primary and secondary functions.

Signals can be acquired and processed in LabVIEW and the generated signals can be used in real time. NI-myRIO has 3.3v, 5v, +/- 15v power output.

It provides connectivity with the host computer either over USB or wireless connectivity. It has an inbuilt accelerometer and special functions like Pulse width modulation, UART, Audio input and output terminals.

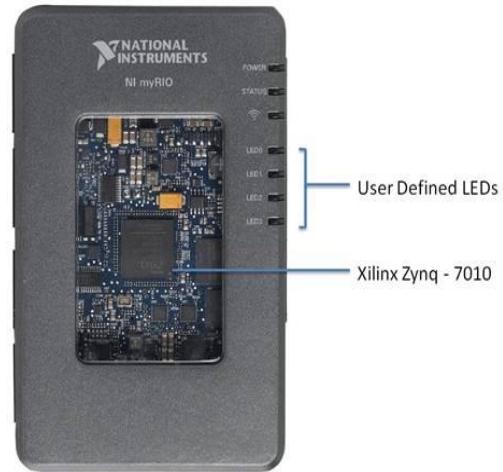


Figure 7: NI-myRIO Kit

### 2.5. MOTOR DRIVER CIRCUIT:

The driver circuit consists of Dual H Bridge. H Bridge enables a voltage to be applied in either direction for a motor. This H Bridge powers the motor.

It can be used for reversing the polarity and braking of the motor. This circuit is connected with the required voltage of 12 volts to power the motor. The triggering is given by the myRIO digital output port. Digital output port generates 3.3V as triggering pulse. The following figure shows the schematic diagram of L293D motor driver circuit.

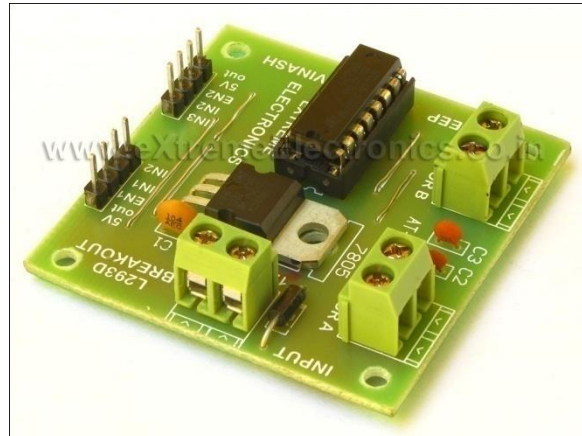


Figure 8: L293D motor driver circuit

### 3. DEGREE OF FREEDOM

In statistics, the number of degrees of freedom is the number of values in the final calculation of a statistic that are free to vary. The number of independent ways by which a dynamic system can move, without violating any constraint imposed on it, is called number of degrees of freedom. In other words, the number of degree of freedom can be defined as the minimum number of independent coordinates that can specify the position of the system completely. Estimates of statistical parameters can be based upon different amounts of information or data. The number of independent pieces of information that go into the estimate of a parameter is called the degrees of freedom. In general, the degrees of freedom of an estimate of a parameter is equal to the number of independent

scores that go into the estimate minus the number of parameters used as intermediate steps in the estimation of the parameter itself (i.e. the sample variance has  $N-1$  degrees of freedom, since it is computed from  $N$  random scores minus the only 1 parameter estimated as intermediate step, which is the sample mean).

Mathematically, degrees of freedom is the number of dimensions of the domain of a random vector, or essentially the number of "free" components (how many components need to be known before the vector is fully determined). Here we used three DOF.

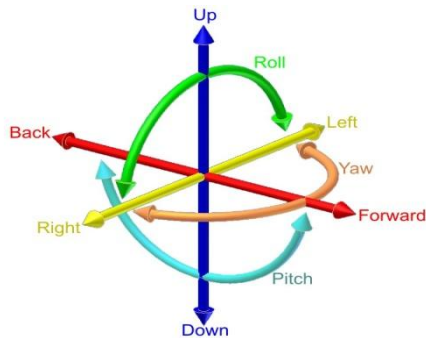


Figure 9: Positions of Degree of freedom

#### 4. LabVIEW

Laboratory Virtual Instrumentation Work Bench abbreviated as LabVIEW is a Virtual programming language. LabVIEW is a highly productive, development environment for creating custom application that interact with the real world signals in fields such as science and engineering. LabVIEW is unique because it makes this wide variety of tools available in single environment. LabVIEW is a development environment for problem solving leading to accelerated productivity and continual innovation. G-Programming being a central tool in LabVIEW has been widely used to interlink data acquisition, analysis and logic operations. It is a high level data flow graphical programming language designed to develop application that are interactive, executing in parallel and multi-core.

It is commonly used for industrial monitoring, control and Automation. Programming is done using 3 panels as follows front panel, Block diagram and connector panel, where front panel serve as user interface where controls and indicators are placed and monitoring is carried out, Block diagram consists of functional blocks in which inputs are been wired and connector panel is used to generate sub VI's. Compared to other programming languages LabVIEW is user friendly because programming is done by picking and placing blocks rather than typing a lengthy code and error correction is very easy.

#### 5. EXPERIMENTAL SETUP:

The following figure shows the real time setup of control of 3-DOF robotic arm using LabVIEW and NI-myRIO.

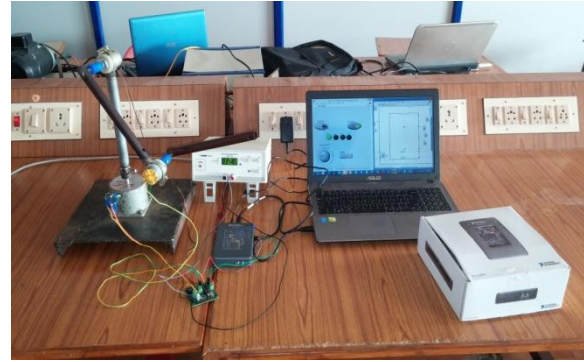


Figure 10: Experimental Setup

#### 6. INTERFACING

The software used for the project is LabVIEW, version 2014. We have configured our program in such a manner that the RIO powers the driver circuit. myRIO can only give a digital pulse of 3.3 volts not more than that, so we have utilized this digital pulse to trigger the driver circuit so that it will route the 12 volts connected to it to drive the stepper motor and 2-DC gear motor. We have programmed the motor to run in both forward and in reverse direction too. By introducing a time delay we have also controlled the speed of the base stepper motor.

For the stepper motor Forward direction in a particular sequence the digital output comes from the sequence structure and similarly in the opposite direction the sequence is given in the reverse order, for which Enum, case structures and while loop has been utilized. The four windings of the motor are assigned separate cases of Enum. The wires to be triggered in case of forward movement are in the following sequence-red, green, orange and blue. For reverse direction it should be powered in the opposite direction. In case of DC motor just two pulses are enough to trigger it both in forward and reverse direction.

#### 7. SIMULATION AND RESULTS:

The following figure shows the front panel and block diagram of the control Vi.

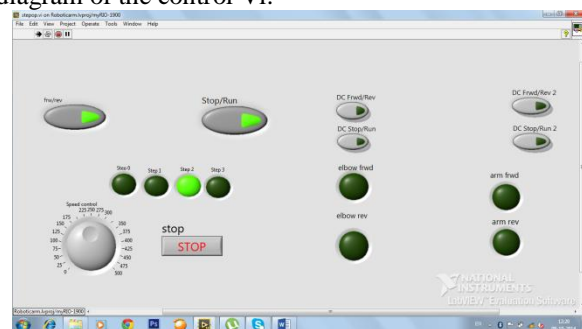


Figure 11: Front panel of control.vi

By using shift registers and case structures we have given the sequence in which the motor must run in case of forward and reverse directions, so that it moves in the required direction accordingly. The usage of while loop along with case structure with shift registers and enum is called as a **State machine architecture** in LabVIEW.

The front panel consists of LED's that indicate the direction of the motor, sequence of the powering of

windings, and a dial for the speed control of the stepper motor. As the time delay increases the speed of the stepper motor decreases and vice-versa. By the same way the movement of elbow and arm is also denoted by Boolean LED's and it is programmed as an open loop system i.e operated manually it is programmed in a way that only one movement can be done at a time with the help of select switches.

6. National Instruments, "LabVIEW User Manual", National Instruments, Jan. 1998 Edition
7. National Instruments "NI-myRIO-1900 user guide and specifications"
8. National Instruments "NI-myRIO project essentials guide" Ahuja, N,"Computer controlled robotic arm", Indian Institute of Technology, IEEE, June 2003.

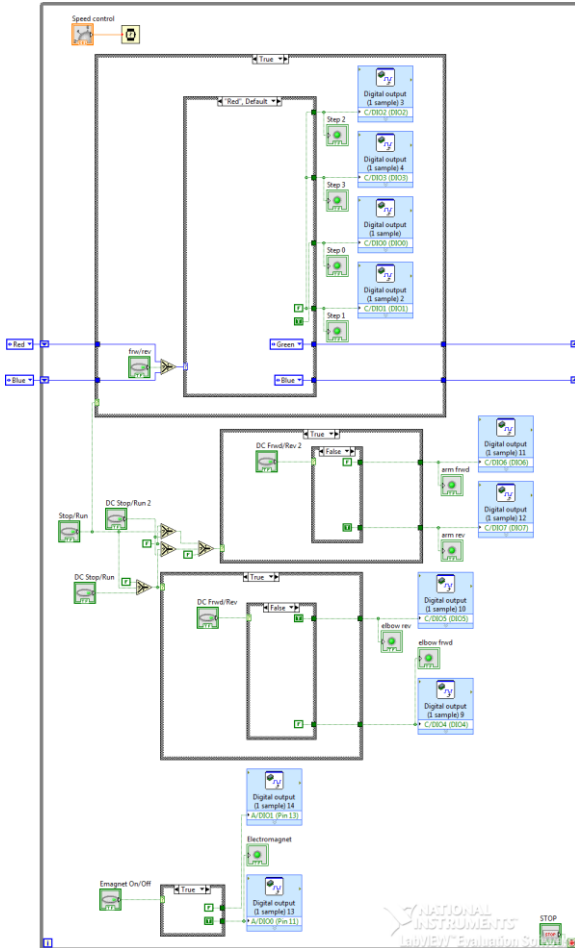


Figure 12: Block diagram of control.vi

## 8. CONCLUSION

Thus the control of 3-DOF robotic arm has been implemented successfully using LabVIEW and my-RIO. The effectiveness of the project can be put to profitable use in any in any kind of environment that doesn't require or forbade the involvement of humans like in hazardous environments, mining, and many such industrial, medical fields. Its application can thus be extended to any field with changes in the end effectors and can be used for many diverse applications.

## REFERENCES

1. Chin, T.C. Mital, D.P. and Jabbar, (1988). M. A. "A stepper motor controller," in Proceedings of the International Conference on Control, Oxford, UK, pp. 500-505.
2. R.K Mittal and I.J.Nagrath, Robotics & control by Tata McGraw Hills. Page no:-66-90
3. Mikell P Groover, Industrial roboticstechnology, programming and applications, McGraw Hill. Page no:-110-180
4. "STEPPER MOTOR REFERENCE DESIGN", by Silicon Labs.
5. National Instruments, "LabVIEW Code Interface Reference Manual", National Instruments, jan1998 Ed., Part No. 320539D-01.